



SCISSOR ARM DOOR CLOSERS

# TS.9206



SCAN FOR FULL INFO



# TS.9206

TS.9206 is ideal for heavy usage and is power adjustable by spring size 3-6. This closer has a unique slimline appearance and comes with back check and delayed action as standard.

**Key Features:**

- Suitable for use on doors up to 1400mm wide
- Standard finishes - Corrosion resistance - Grade 3: High Corrosion resistance
- MARINE 316 - Grade 5: Exceptionally high corrosion resistance
- 35 Year Guarantee
- Available in 4 different finishes for next day delivery



FD30 to FD120  
Timber Doors



Opening Angle  
180°



Two-Stage  
Speed Regulation



Guarantee



Max Door  
Width  
1400mm



Max Door  
Weight  
120Kg



**Product Features**

**TS.9206**

Delayed Action	✓
Back Check	✓
Opening Angle - Pull-side	180° (Fig 1)
Fig.1 Pull Side Door Width	415-1400mm
Fig.66 Push Side Door Width	490-1250mm
Fig.1 BS8300 Min Door Width	835mm
Fig.66 BS8300 Min Door Width	728mm
Max Door Weight	<120kg
Power Adjustment	By Spring
Hold Open (not for fire doors)	◦
Dimensions (including cover)	W307 x H77 x D47mm

**Certification Compliance**

Certifire	-
UKCA	✓
CE - For classification see website	✓
BS EN 1154	✓
BS EN 1634-1	✓
BS EN 1670	Grade 5
UL10C	-
UL228	-
ANSI BHMA	-
IFCC	✓
EPD 3.09E+01 kg CO <sub>2</sub> eq	✓

**Key:** ✓ Yes - No ◦ Option

**Finishes**

See page 148 for more detail



SE  
Silver



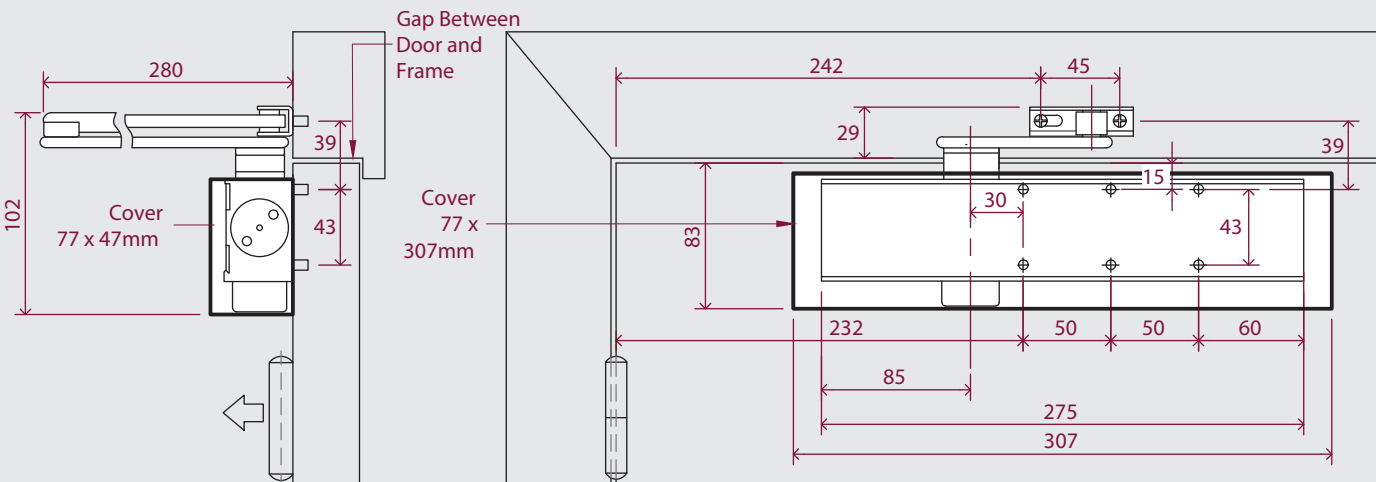
SNP  
Satin Nickel



PNP  
Polished Nickel



M  
Marine 316



All dimensions shown are in mm • For fitting instructions see website