

Bathroom Locks & Latches

2657

Mortice Latch



ASSA ABLOY

Application:

- For timber doors hinged on the left or right

Specification:

- Latch bolt withdrawn by lever handle from either side
- Reversible latch bolt
- Pierced to accept bolt through furniture
- Available with square forend and locking plate
- Case Size: 65mm (2.5"), 77.5mm (3") or, 103mm (4")
- Backset: 44.5mm, 57mm or 82.5mm
- Case: Steel, silver powder coat
- Forend: Stainless steel or brass
- Striking Plate: Finished to match forend
- Deadbolt: n/a
- Latch Bolt: Brass, reversible
- Follower: Brass, 8mm square
- Rebate Kit: 2930 (13mm, 19mm or 25mm)
- Available in SC and PL finishes

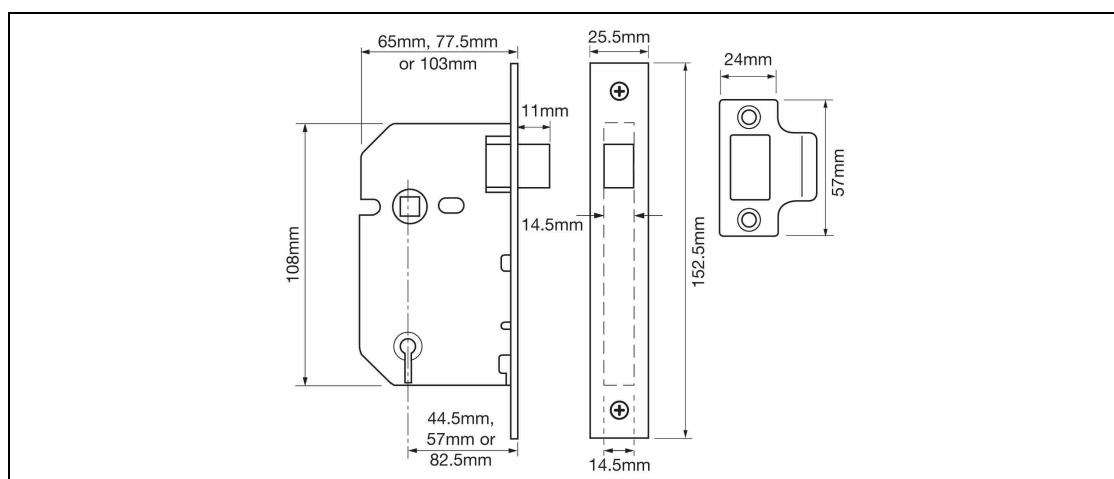
Finish:

- SC - Satin Chrome finish
- PL - Polished Brass finish

Variants:

J2657-PL-2.50	3-Lever Mortice Latch
J2657-SC-3.00	3-Lever Mortice Latch
J2657-SC-4.00	3-Lever Mortice Latch
J2657-PL-4.00	3-Lever Mortice Latch

Technical Design:



Standards:

