

### Universal Pressbolt

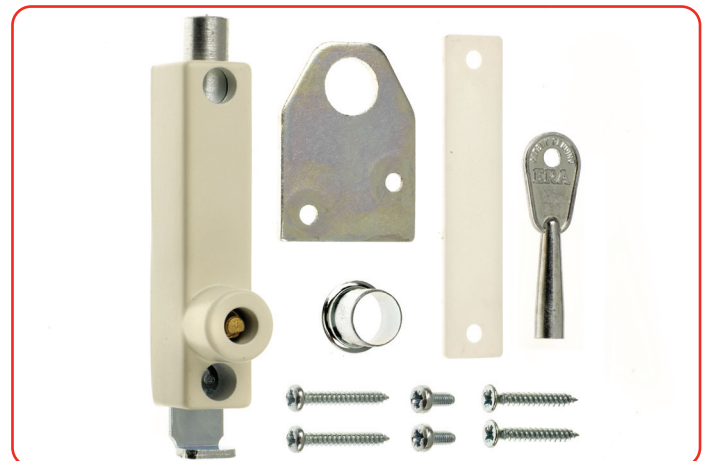


### Features

- Can be used on all external and internal doors, French windows and cupboards
- Simply press the spring bolt to lock and use the key to unlock
- Rotating hardened steel bolt resists hacksawing
- Fixing screws are concealed when in the locked position
- Supplied with a steel receiving plate and ferrule enabling fixing to all types of door jamb



Cut Key Version



Standard Key Version

# Universal Pressbolt

### Ordering Details

| Product                                   | Part No. |
|---|----------|
| <b>Universal Pressbolt - Cut Key</b>      |          |
| White                                     | 806-12   |
| Brown                                     | 806-22   |
| Brass Effect                              | 806-32   |
| <b>Universal Pressbolt - Standard Key</b> |          |
| White                                     | 805-12   |
| Brown                                     | 805-22   |

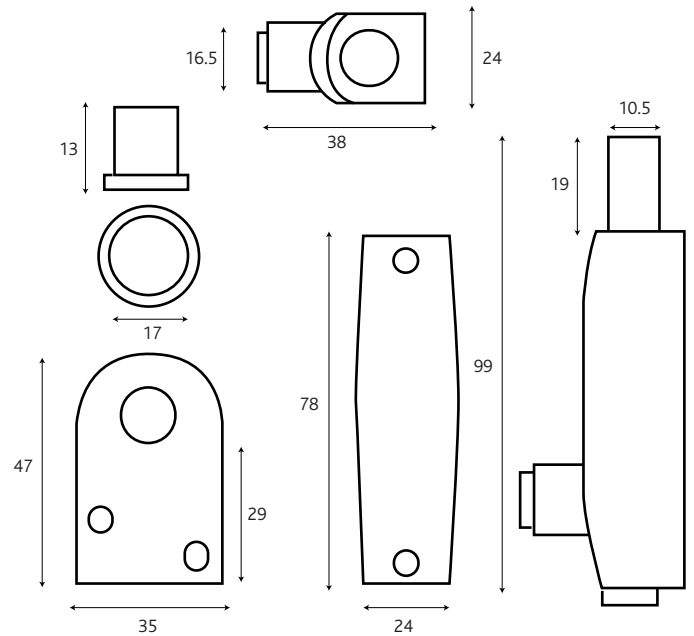
### Maintenance

The pivot point should be lightly lubricated twice a year and the surface cleaned with a soft cloth to remove any dust or grime. The product should be periodically adjusted and the fixings tightened to ensure a satisfactory operation

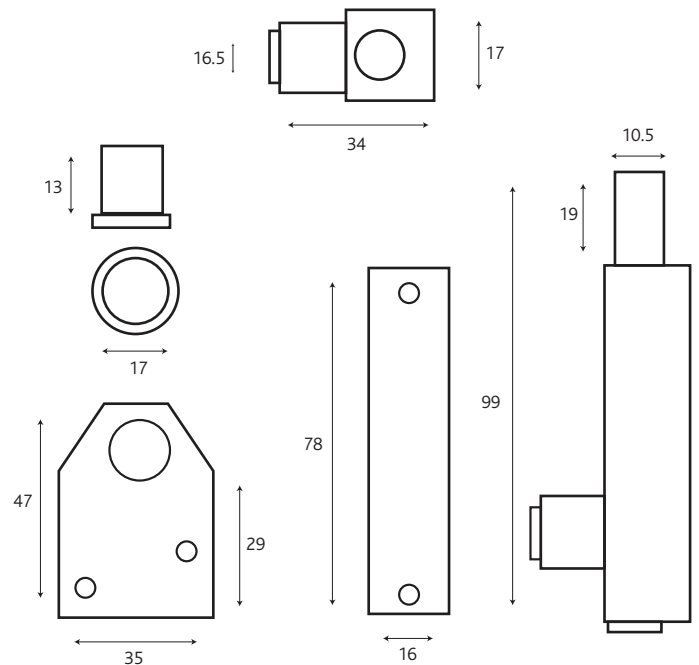
### Packaging

**Universal Pressbolt:**  
1 per clam, 10 per box.

Universal Pressbolt - Cut Key



Universal Pressbolt- Standard



All dimensions are in mm.

ERA reserves the right to change specification without notice. It is the responsibility of the window manufacturer to ensure that the finished product meets any required safety and performance specification