

# 3 Lever

2037

## 3 Lever Horizontal Mortice Lock



ASSA ABLOY

### Application:

- For timber doors hinged on the left or right
- Keys are suitable for use on doors up to 54mm thick
- May be supplied master keyed

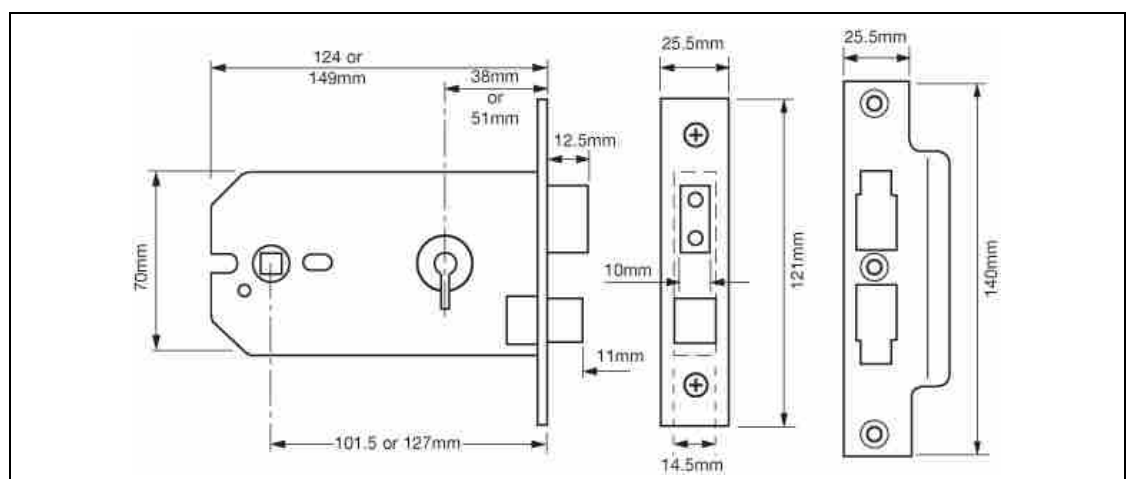
### Specification:

- Deadbolt locked or unlocked by key from either side
- Latch bolt withdrawn by knob or sprung lever handle from either side
- Two way action, suitable for knobs or sprung lever handle (not suitable for unsprung lever handles)
- Pierced to accept bolt through furniture
- May be keyed alike with 2137 and 2237
- Reversible latch bolt
- Available with square forend and striking plate
- Case Size: 124mm (5") or 149mm (6")
- Backset: 38mm or 51mm
- Case: Steel, silver powder coat
- Forend: Stainless steel or brass
- Striking Plate: Finished to match forend
- Deadbolt: Brass, with hardened steel rollers
- Latch Bolt: Brass, easily reversible
- Follower: 8mm square. Two way action
- Rebate Kit: 2939 (13mm, 19mm or 25mm)
- Keying Groups: May be supplied to pass and, master keyed. Supplied with 2 steel nickel plated keys
- Key Blank Number: KB483, Keying: 500 standard differs, (numbers from M1001R to M1500R)
- Available in SC and PL finishes

### Finish:

- SC - Satin Chrome finish
- PL - Polished Brass finish

### Technical Design:



### Standards:



# 3 Lever

2037

## 3 Lever Horizontal Mortice Lock



### Variants:

|                |                         |
|----------------|-------------------------|
| JD2037-PL-6.00 | 3 lever horizontal lock |
| JD2037-PL-5.00 | 3-Lever Horizontal Lock |
| JD2037-PL-6.00 | 3-Lever Horizontal Lock |
| JD2037-SC-6.00 | 3-Lever Horizontal Lock |