

ERA

1630-32 Replacement Front Door Lock Fitting Instructions

Installing a Replacement Front Door Lock

Note: Lock is only suitable for doors up to 57mm thick, or 54mm with cylinder pull. For glass panelled doors use 163/193 for the Double Lock Nightlatch or 1830/1930 for the BS High Security Nightlatch. This product is not suitable for outward opening doors.

To fit a Replacement Front Door Lock you will require the following tools:

- Drill
- 32mm (1 1/4") drillbit
- Rule
- Hacksaw
- Mallet
- Chisel
- Posidriv screwdriver
- Pencil

- A** Remove mounting plate from lock body by unscrewing the 2 retaining screws (see **F**).

Select desired height for the lock. Mark the centre of the cylinder hole from the edge of the door, 40mm for 40mm Backset Lock and 60mm for the 60mm Backset Lock. Drill a 32mm (1 1/4") diameter hole through the door.

- B** Place cylinder into ring and push through door. With a pencil, mark the cylinder bar level with the inside surface of the door. Remove cylinder and cut the bar so that it will project 12mm beyond the doorface i.e. beyond the pencil mark.

- C** Re-insert the cylinder into the door and locate the mounting plate on the door, insert connecting bolts through mounting plate top centre holes into the cylinder.

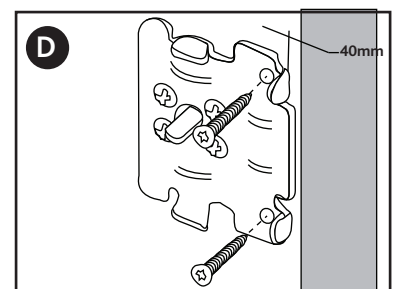
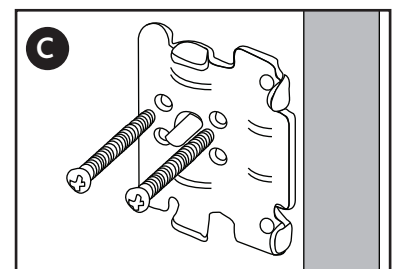
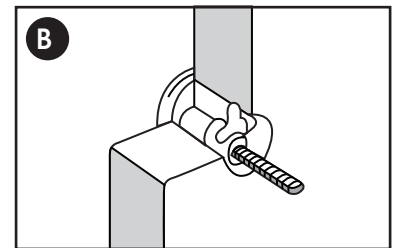
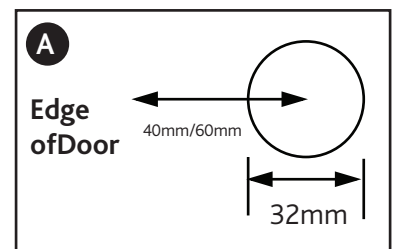
Do not tighten the bolts

Note: For doors less than 45mm thick, connecting bolts need to be shortened using hacksaw.

- D** Using 2 wood screws provided, fix mounting plate allowing 4.0mm clearance from the edge of the door, ensuring mounting plate is parallel with the door edge.

It may be necessary to loosen connecting bolts to achieve clearance, ensure bolts are secure after fixing mounting plate.

Note: 2mm diameter pilot holes may be necessary in hardwood doors.

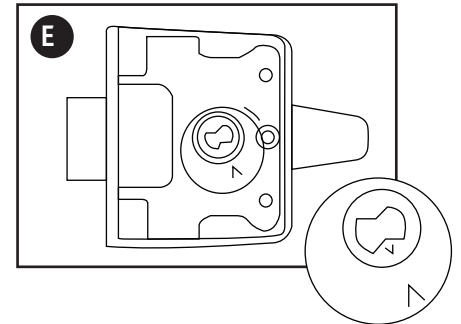


ERA

- E** Before attaching to the mounting plate, ensure the arrows line up on the back of the lock.

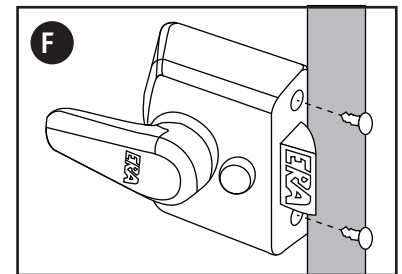
Note: If the "Outside Deadlock" facility is required, remove the screw from the back of the lock and discard it.

- F** Slide the lock onto the mounting plate and secure it using the 2 retaining screws removed earlier.



G Fitting the Staple

Close door and mark the position of the staple using the lock as a guide. Mark area of wood to be removed from door frame and chisel out. Insert the 3 remaining woodscrews provided to fix the staple, drilling the pilot holes is necessary.



Additional Information

Operation (Non Outside Deadlocking):

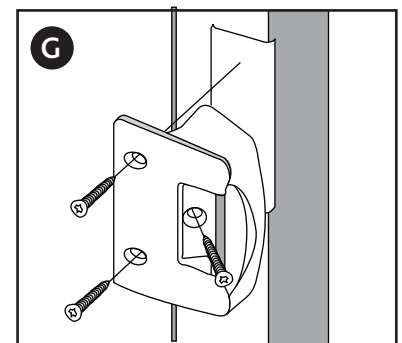
To Open - Insert key and turn clockwise.

To Internally Deadlock - Slide Snib (See fix. F) The door cannot be opened from outside.

Hold Back Facility - Withdraw bolt via handle and slide snib..

Operation (With outside Deadlocking):

To Deadlock - Insert the key and rotate anti-clockwise 360° and remove key. The door cannot be opened from the inside. To unlock deadlock - Reverse operation.



Note: Deadlocking should not be used while the house is still occupied

Maintenance - Do not take the cylinder apart, do not oil or paint the cylinder, moving parts can be greased.

Cleaning - Use a moist cloth only to clean all types of finish, household abrasives or solvents may affect the surface finish.