

FEDERAL LOCK

FEDERAL MULTIBOLT WINDOW LOCK



Window Security Mul Tibolt

Suitable For Most Type Of Windows :

Timber, Aluminium, uPVC, Sliding Or Hinged

FEATURES :

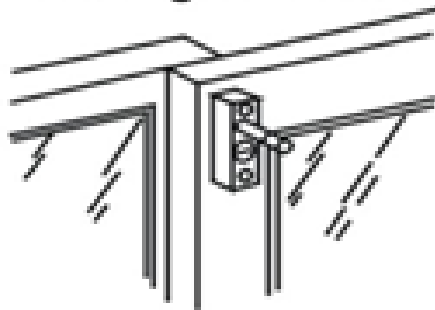
Zinc Diecast Body.

Zinc Plated Steel Bolt.

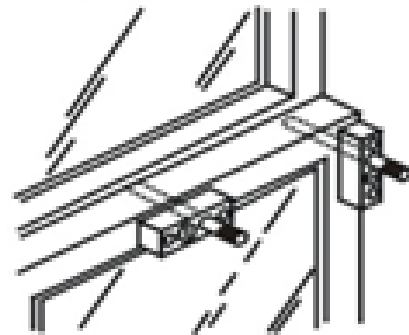
Key To Lock And Unlock.

Multi Bolts For Both Front And Side Fix Design.

Sliding Windows



Vertical Sash Windows



Hinged Casement Windows

