



# ANTI-SNAP

Makes your entrance door invincible

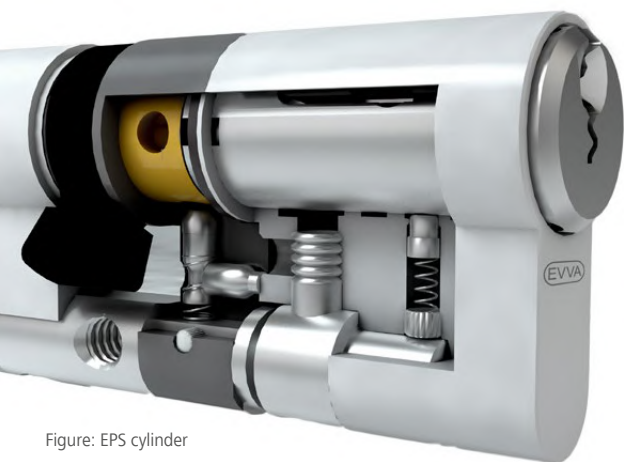


Figure: EPS cylinder

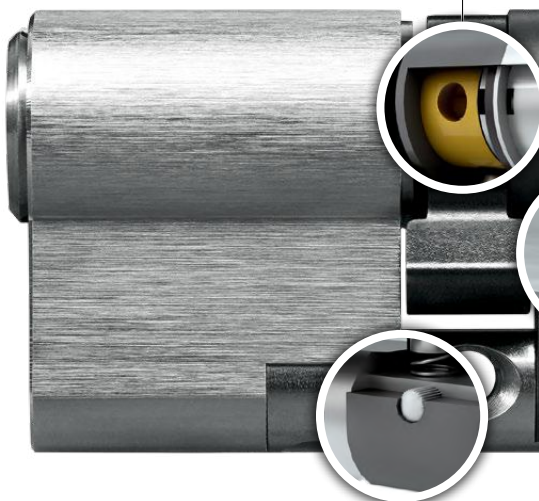
## Anti-snap components

### Make the entrance door invincible

Their function is simple, yet highly effective: the cylinder simply snaps at a rated break point in the event of a snapping attempt. The tampering attempt is registered and the remaining cylinder is blocked and rendered unusable. There is no way of breaking in without having to use a loud drill.

#### Your benefits at a glance

- › Modular design (SYMO)
- › Installed without having to replace the escutcheon or modify the door
- › Anti-snap unit made of specially hardened steel
- › Picking and drilling protection
- › TS 007:2014 3-star certification (British Standard Institut)



### Plug elongation

The released bolt renders the rest of the cylinder unusable.

**Hardened housing**  
Burglars will be unable to get past this hardened steel unit.



Available for all modular Systems (SYMO)



### Anti-snap components – suitable for several systems

The anti-snap option is not system-specific and hence available for almost all EVVA locking systems. Please do not hesitate to ask your EVVA advisor for the systems suitable for anti-snap components that are available in your country.



### **Locking bolt**

The monitoring pin releases the bolt upon a tampering attempt.



### **Rated break point**

In the event of a snapping attempt, the cylinder breaks at this rated break point.

## **Great for your security**

Protect what is important to you. Preferably with security solutions from EVVA.

You benefit from decades of experience: these solutions offer outstanding quality and innovative technologies.

The EVVA security card, patents and technology prevent key copies, illegal duplicate keys and key manipulations.



## Increasing security with anti-snap components

A devastated home, looted offices or business premises – the shock and fear of something similar re-occurring is profound.

For this reason, protect what is important to you with the new EVVA anti-snap cylinder. Certified as per TS 007 BSI with 3-star certification, this cylinder complies with the strictest security requirements for increased protection at your entrance door.

Protects your door from the following tampering attempts:



DRILLING



PICKING



SNAPPING



BUMPING

**www.evva.com**

