

3 Lever

2177

3 Lever Mortice Deadlock



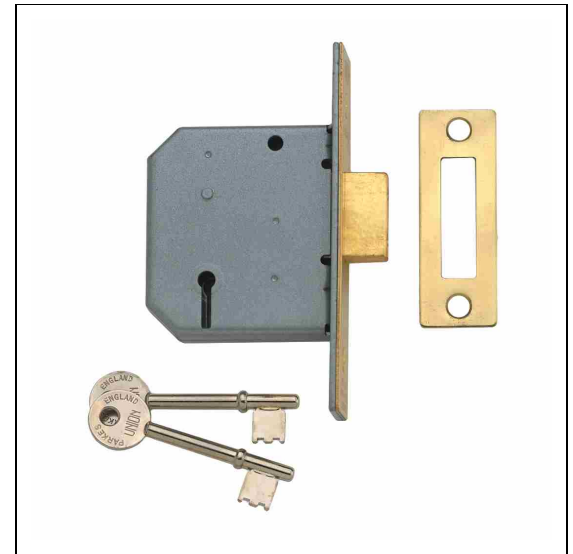
ASSA ABLOY

Application:

- For timber doors hinged on the left or right
- Keys are suitable for use on doors up to 54mm thick

Specification:

- Deadbolt locked or unlocked by key from either side
- May be keyed alike with 2077, 2157, 2277 and 2477
- NB: Not suitable for master keying
- Available with square forend and striking plate
- Case Size: 65mm (2.5") or 77.5mm (3")
- Backset: 44.5mm or 57mm
- Case: Steel, silver powder coat
- Forend: Stainless steel or brass
- Striking Plate: Finished to match forend
- Deadbolt: Brass, with hardened steel rollers
- Latch Bolt: n/a
- Follower: n/a
- Rebate Kit: 2969 (13mm, 19mm or 25mm)
- Keying Groups: May be supplied to pass, differ and keyed alike with 2077, 2157, 2277 and 2477. Supplied with 2 steel nickel plated keys
- Key Blank Number: KB436
- Keying: 100 standard differs, (numbers M101M - M200M)
- Available in SC and PL finishes



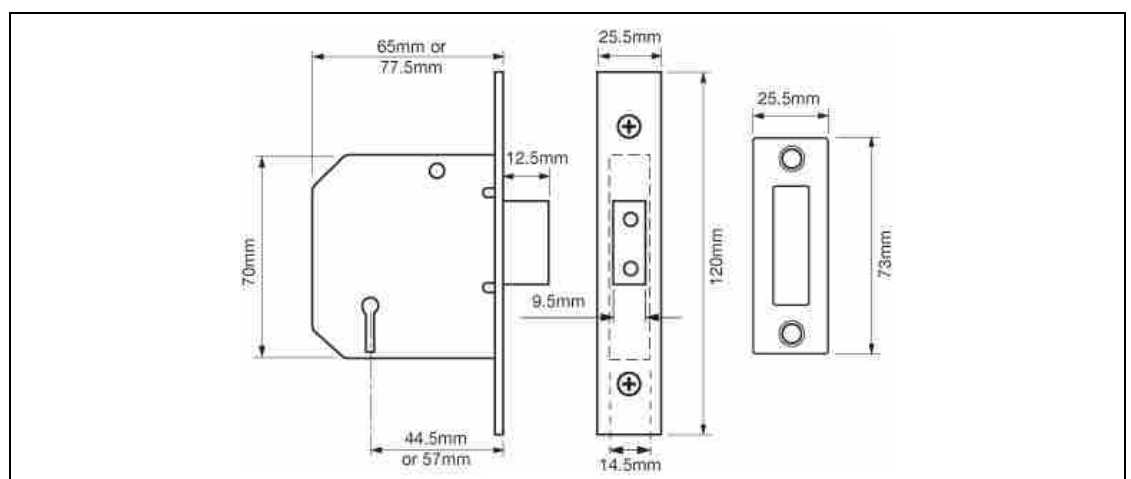
Standards:



Finish:

- SC - Satin Chrome finish
- PL - Polished Brass finish

Technical Design:



3 Lever

2177

3 Lever Mortice Deadlock



ASSA ABLOY

Variants:

J2177-PL-2.50	3-Lever Deadlock
J2177-PL-3.00	3-Lever Deadlock
J2177-SC-2.50	3-Lever Deadlock
J2177-SC-3.00	3-Lever Deadlock
Y2177-PL-2.50	3-Lever Deadlock
Y2177-PL-3.00	3-Lever Deadlock
Y2177-SC-2.50	3-Lever Deadlock
Y2177-SC-3.00	3-Lever Deadlock
JP2177-PL-2.50	3-Lever Deadlock
JP2177-PL-3.00	3-Lever Deadlock
JP2177-SC-2.50	3-Lever Deadlock
J2177-SC-3.00	3-Lever Deadlock