

5 Lever

2201

5 Lever Mortice Sash Lock



ASSA ABLOY

Application:

- For timber doors hinged on left or right
- To suit doors up to 54mm thick

Specification:

- Deadbolt locked or unlocked by key from either side
- Latch bolt withdrawn by lever handle from either side
- May be keyed alike with 2101 and 2401
- Pierced to accept bolt through furniture
- NB: Not suitable for master keying
- Security box striking plate
- Easily reversible latch bolt from outside of case
- Available with square forend and striking plate
- Case Size: 65mm (2.5") or 77.5mm (3")
- Backset: 44.5mm or 57mm
- Case: Steel, red powder coat
- Forend: Stainless steel or brass
- Striking Plate: Finished to match forend
- Deadbolt: Brass, with hardened steel rollers
- Latch Bolt: Brass, easily reversible
- Follower: Brass, 8mm square
- Rebate Kit: 2989 (13, 19 or 25mm sizes)
- Keying Groups: May be supplied to pass or differ. Supplied with 2 steel nickel plated keys
- Key Blank Number: KB430
- Keying: 600 standard differs (keys are not numbered for security purposes)
- Available in SC and PL finishes



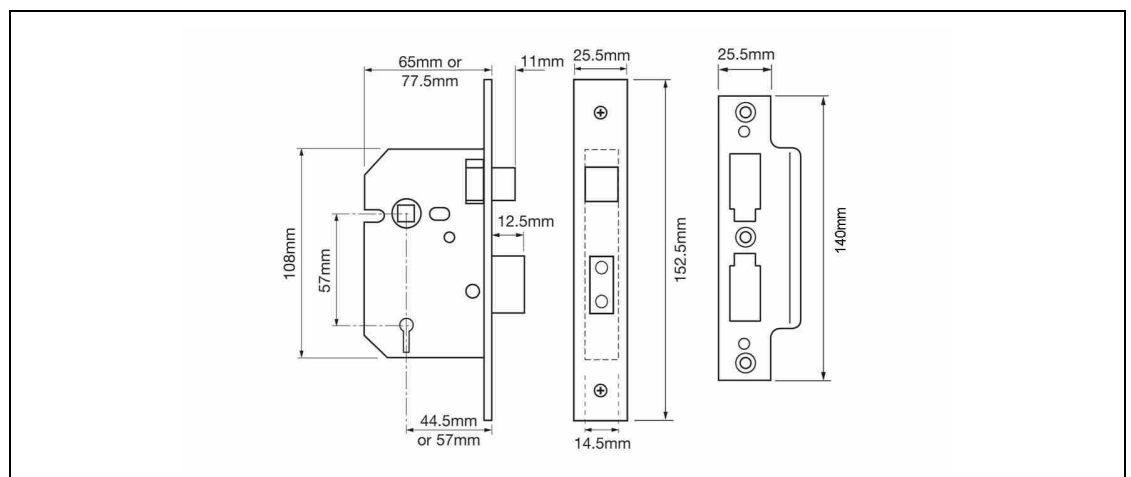
Standards:



Finish:

- SC - Satin Chrome finish
- PL - Polished Brass finish

Technical Design:



5 Lever

2201

5 Lever Mortice Sash Lock



ASSA ABLOY

Variants:

J2201-PL-2.50	5-Lever Sashlock
J2201-PL-3.00	5-Lever Sashlock
J2201-SC-2.50	5-Lever Sashlock
J2201-SC-3.00	5-Lever Sashlock
Y2201-PL-2.50	5-Lever Sashlock - Visi
Y2201-PL-3.00	5-Lever Sashlock - Visi
Y2201-SC-2.50	5-Lever Sashlock - Visi
Y2201-SC-3.00	5-Lever Sashlock - Visi
JP2201-PL-2.50	5-Lever Sashlock
JP2201-PL-3.00	5-Lever Sashlock
JP2201-SC-2.50	5-Lever Sashlock
JP2201-SC-3.00	5-Lever Sashlock