

BS High Security Fortress Euro Cylinder Lock



Features

- Meets the requirements of BS3621:2007 and is suitable for the demands of the insurance companies and the Police
- Each lock is supplied with a High Security 6 pin Euro Profile Cylinder resistant against picking or drill attacks
- High security levels are delivered by a 20mm bolt throw
- Hardened steel plates on both to resist drilling
- Four hardened steel plates in both models resists hacksawing
- Sashlock features an easily reversible pull and twist action latch bolt without the removal of the lock cover
- Bolt through heavy duty security roses protect the cylinder
- 64mm (2½") and 46mm (3") backset options
- Rebates Sets available in 12.7mm (1/2") and 25.4mm (1")
- Brass Effect, Satin or Chrome Effect finishes available



Deadlock



Sashlock

BS High Security Fortress Euro Cylinder Lock

Ordering Details

Fortress Euro Cylinder Deadlock

Finish	Part No. Boxed Version
Brass Effect 64mm (2½")	263-31
Satin 64mm (2½")	263-51
Chrome Effect 64mm (2½")	263-61
Brass Effect 76mm (3")	363-31
Satin 76mm (3")	363-51
Chrome Effect 76mm (3")	363-61

Fortress Euro Cylinder Sashlock

Finish	Part No. Boxed Version
Brass Effect 64mm (2½")	264-31
Satin 64mm (2½")	264-51
Chrome Effect 64mm (2½")	264-61
Brass Effect 76mm (3")	364-31
Satin 76mm (3")	364-51
Chrome Effect 76mm (3")	364-61

Deadlock Rebate Sets

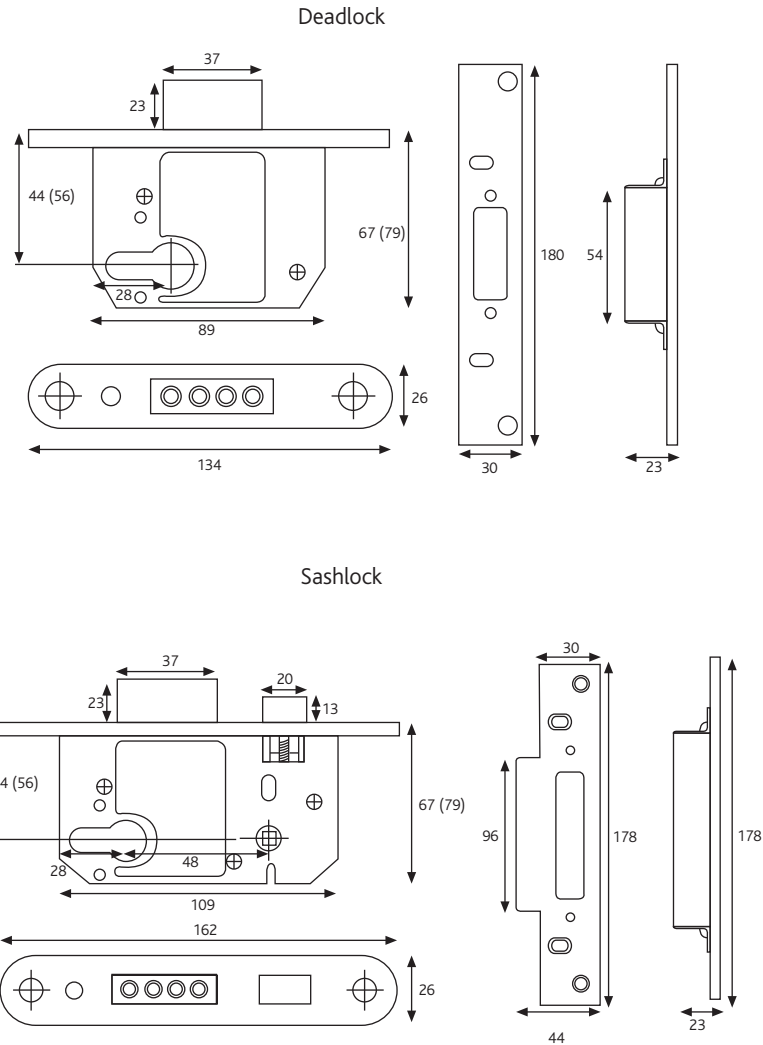
Finish	Part No.
Brass Effect 12.7mm (½") Rebate	426-31
Satin 12.7mm (½") Rebate	426-51
Chrome Effect 12.7mm (½") Rebate	426-61
Brass Effect 25.4mm (1") Rebate	427-31
Satin 25.4mm (1") Rebate	427-51
Chrome Effect 25.4mm (1") Rebate	427-61

Sashlock Rebate Sets

Finish	Part No.
Brass Effect 12.7mm (½") Rebate	428-31
Satin 12.7mm (½") Rebate	428-51
Chrome Effect 12.7mm (½") Rebate	428-61
Brass Effect 25.4mm (1") Rebate	429-31
Satin 25.4mm (1") Rebate	429-51
Chrome Effect 25.4mm (1") Rebate	429-61

Classification Codes

Deadlock	Sashlock
1121 - AGS057 13	1121 - AG5056
BS EN 12209:2003	BS EN12209:2003
3H810FKA00	3H810F7KA20



All dimensions are in mm and are nominal. Numbers in brackets relate to 3" version of lock. Diagram illustrates product in locked position. ERA reserves the right to change specification without notice. It is the responsibility of the door manufacturer to ensure that the finished product meets any required safety and performance specification.

Packaging

Boxed version
1 lock per inner box, 10 locks per outer box

Maintenance

Wipe the surface periodically with a soft cloth to remove excess grease or moisture.