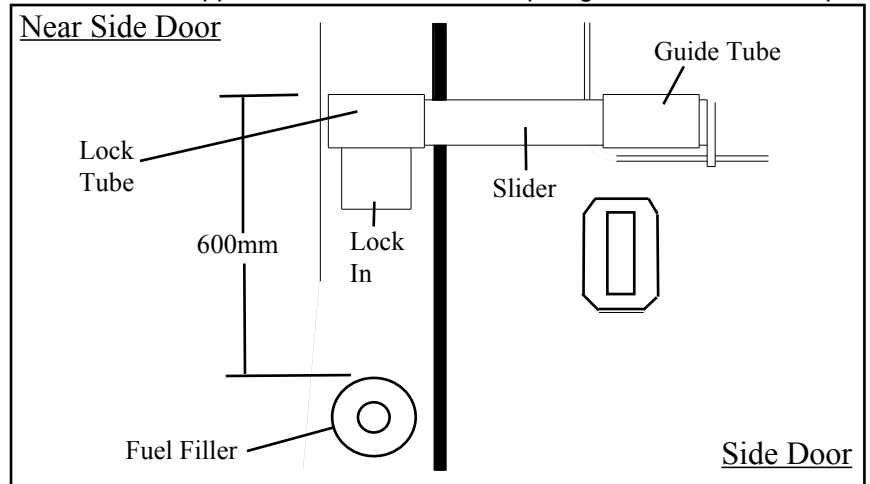


**N.B. Dimensions shown are typical for the Ford Transit. Dimensions may vary on other makes of vans.**

1. Position door lock assembly as shown. The lock tube is approx. 600mm above the top edge of the fuel filler cap

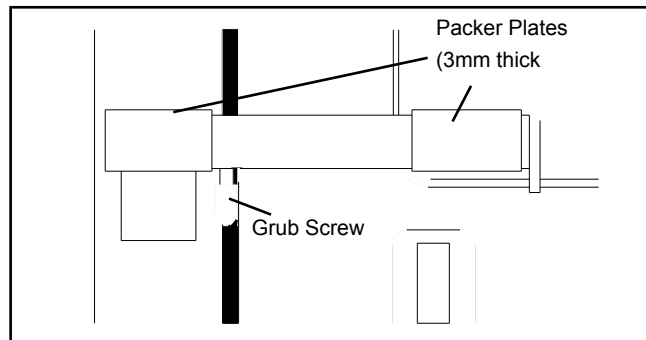


#### Parts List.

- 1 off Lock Tube c/w Lock
- 1 off Guide Tube
- 1 off Slider
- 2 off Packer Plate 60 x 32 x 3 thick
- 2 off Back Plates 60 x 20 x 6 thick
- 4 off M8 x 40 CSK Head Fasteners
- 4 off M8 Nyloc Nuts
- 1 off M5 Allen Key
- 1 off M10 x 60 Grub Screw

2. With lock engaged in the slider, mark out position of lock tube and guide tube onto door pillar and side door with a pencil, unlock slider, then mark out each hole position. (Use a packer plate as a template to mark hole centres).

**Important** Before drilling the fixing holes re-check suitability of the fixing position ensuring hole positions are away from door linkages, wiring etc. Then carefully drill through panels with 9mm dia drill bit.



3. Fit the lock and guide tubes to the door pillar and side door with the countersunk fasteners provided using packer plates between the door/door pillar and the tubes as required to gain best alignment. Use 5mm hexagon key to hold the fasteners when tightening.
4. Fit the re-inforcing plates (6mm thick) inside the van and tighten the locking nuts.
5. The 10mm grub screw handle can now be fitted as shown.

**Note:- The top hole is not threaded, it is a seating for the grub screw, do not over tighten.**

**To Lock.** Remove key, push slider fully across and press lock into hole in slider until lock clicks.

**To Unlock.** Insert key, rotate half turn and pull on key until lock pops out.

We have taken every care in the design and manufacture of this security device and we believe that it is an effective deterrent. However we cannot guarantee that it will resist the efforts of the most determined thief, and as such we do not accept any liability for loss or damage caused by theft, vandalism or other illegal activity against property to which this device is fitted.

#### Bulldog Security Products

Units 1 - 4 Stretton Road, Much Wenlock, Shropshire, TF13 6DH.

Tel: 01952 728171 Fax: 01952 728117

Email [sales@bulldogsecure.com](mailto:sales@bulldogsecure.com) [www.bulldogsecure.com](http://www.bulldogsecure.com)

#### Lock Lubrication.

**IMPORTANT** - To ensure free movement of the lock, spray lock mechanism with WD40 (or equivalent) minimum every four months.