

# 3 Lever

2077

## 3 Lever Horizontal Mortice Lock



ASSA ABLOY

### Application:

- For timber doors hinged on the left or right
- Keys suitable for use on doors up to 54mm thick

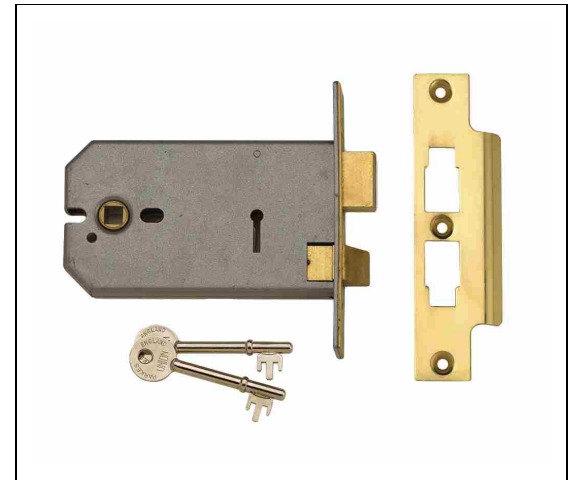
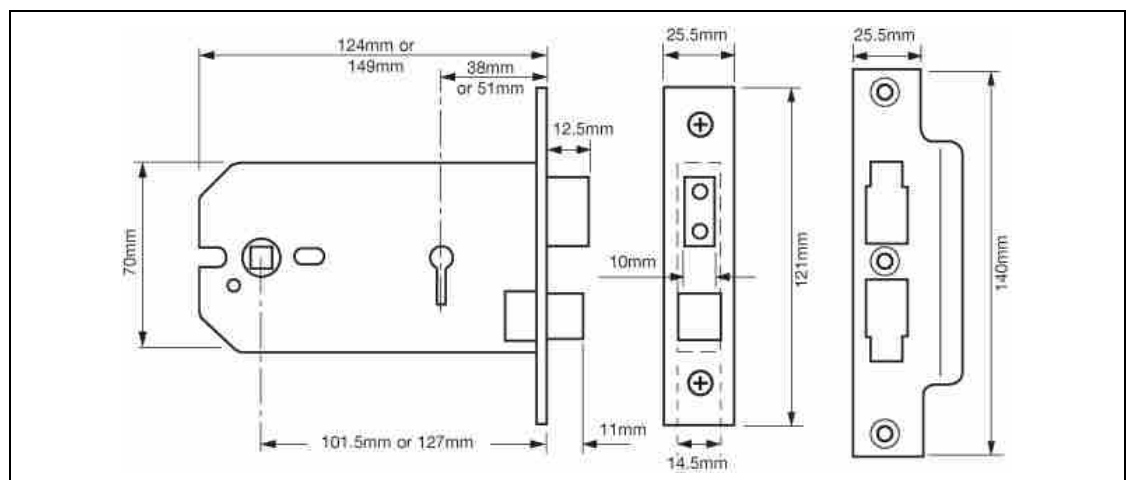
### Specification:

- Deadbolt locked or unlocked by key from either side
- Latch bolt withdrawn by knob or sprung lever handle from either side
- Two way action, suitable for knobs or sprung lever handles
- Pierced to accept bolt through furniture
- May be keyed alike with 2157, 2177, 2277 & 2477
- NB: Not suitable for master keying
- Reversible latch bolt
- Available with square forend and striking plate
- Case Size: 124mm (5") or 149mm (6")
- Backset: 38mm or 51mm
- Case: Steel, silver powder coat
- Forend: Stainless steel or brass
- Striking Plate: Finished to match forend
- Deadbolt: Brass, with hardened steel rollers
- Latch Bolt: Brass, easily reversible
- Follower: 8mm square. Two way action
- Rebate Kit: 2939 (13mm, 19mm or 25mm)
- Keying Groups: May be supplied to pass. Supplied with 2 steel nickel plated keys
- Key Blank Number: KB436
- Keying: 100 standard differs, (numbers M101M - M200M)
- Available in SC and PL finishes

### Finish:

- SC - Satin Chrome finish
- PL - Polished Brass finish

### Technical Design:



### Standards:



# 3 Lever

2077

## 3 Lever Horizontal Mortice Lock



ASSA ABLOY

### Variants:

J2077-PL-5.00	3-Lever Horizontal Lock
J2077-PL-6.00	3-Lever Horizontal Lock
J2077-SC-5.00	3-Lever Horizontal Lock
J2077-SC-6.00	3-Lever Horizontal Lock
Y2077-PL-5.00	3-Lever Horizontal Lock
Y2077-PL-6.00	3-Lever Horizontal Lock
Y2077-SC-5.00	3-Lever Horizontal Lock
JP2077-PL-5.00	3-Lever Horizontal Lock
JP2077-PL-6.00	3-Lever Horizontal Lock
JP2077-SC-5.00	3-Lever Horizontal Lock
JP2077-SC-6.00	3-Lever Horizontal Lock