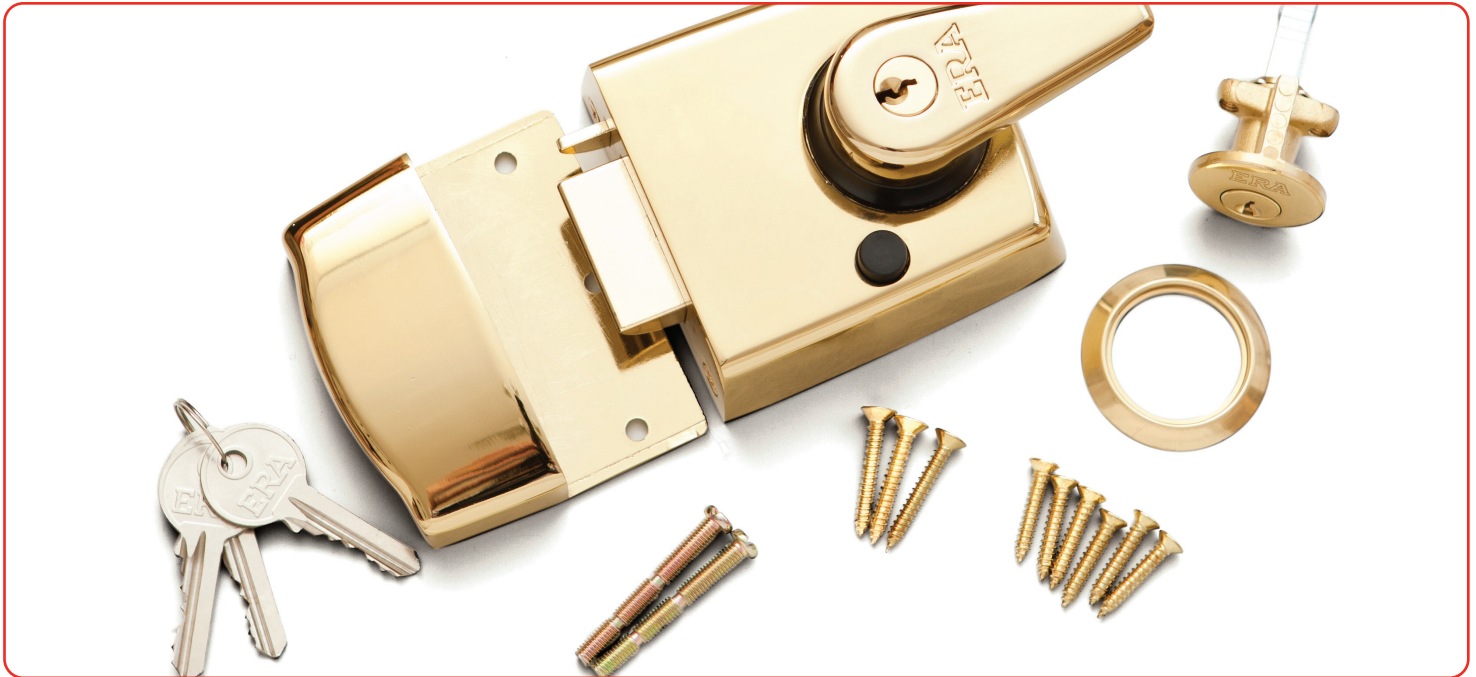


Double Locking Nightlatch



Features

- The **Double Locking Nightlatch** is designed to replace most existing front door locks
- Ideally suited for solid and glass panelled wooden doors
- Designed with an ergonomic internal locking handle offering added security against forced entry
- The main lock bolt is automatically deadlocked when the door is closed, preventing the main bolt being retracted by a credit card
- The inside handle can be deadlocked by an anti-clockwise turn of the key from the inside so securing the lock against forced entry
- The bolt can be held in the withdrawn position (only) with the use of the snib feature
- Available in 40mm and 60mm backsets
- Brass, Grey, Satin Chrome, Polished Chrome and Satin Nickel finishes available



Double Locking Nightlatch

Ordering Details

40mm Backset (Narrow Style)

Finish	Part No. Clam Pack	Part No. Boxed Version
Brass Body, Brass Cylinder	183-32	183-31
Satin Chrome Body, Satin Cylinder	183-35-2	183-35-1
Polished Chrome Body, Chrome Cylinder	183-37-2	183-37-1
Satin Nickel Body, Satin Cylinder	183-40-2	183-40-1
Grey Body, Brass Cylinder	184-32	184-31

60mm Backset (Standard Style)

Finish	Part No. Clam Pack	Part No. Boxed Version
Brass Body, Brass Cylinder	193-32	193-31
Satin Chrome Body, Satin Cylinder	193-35-2	193-35-1
Polished Chrome Body, Chrome Cylinder	193-37-2	193-37-1
Satin Nickel Body, Satin Cylinder	193-40-2	193-40-1
Grey Body, Brass Cylinder	194-32	194-31

Packaging

Boxed version

1 lock per inner box, 10 locks per outer box

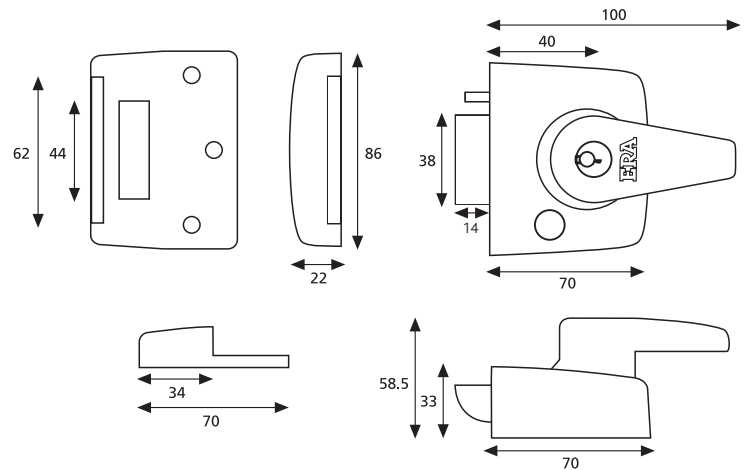
Clam version

1 lock per clam, 5 clams per outer box

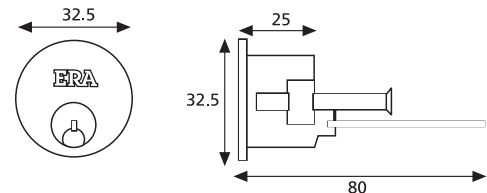
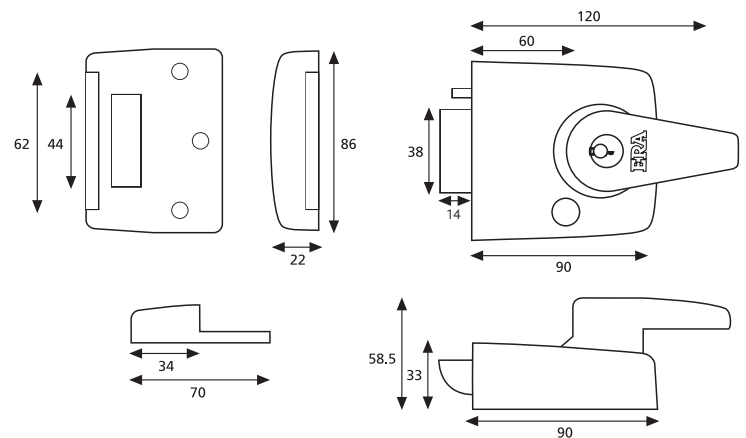
Maintenance

Wipe the surface periodically with a soft cloth to remove excess grease or moisture.

40mm Nightlatch



60mm Nightlatch



All dimensions are in mm and are nominal.
 ERA reserves the right to change specification without notice.
 It is the responsibility of the door manufacturer to ensure that the finished product meets any required safety and performance specification.