

THE MULTI-FUNCTION, MULTI-PURPOSE DOOR CLOSER

Outstanding versatility.

Quality assured.

Tested to EN 1154.

Decades of experience have gone into the development of the DORMA TS 83.

The result is user comfort coupled with outstanding versatility. It can be adjusted to suit almost all types

of door. Additional anti-corrosion protection for exposed or aggressive conditions is available to special order. Fixing couldn't be easier and last but not least – it's engineered for excellence. Certified to ISO 9001.

PLUS POINTS ...

... for the trade

- Streamlined product range means low inventory costs and reduced stocking requirement.
- Comprehensive choice of accessories provides practical and effective solutions to meet special applications.

... for the specifier/architect

- Compact closer design and sturdy flat-form arm assembly.
- Wide range of standard functions supplemented by optional extras.
- Suitable for fire doors. (CERTIFIRE approved Ref. CF 118)

... for the installer

- Easy to fix.
- Can be "tailored" to the requirements of the door by simple adjustment.
- Just one model for RH (ISO 5) and LH (ISO 6) doors and for standard and frame/lintel fixing and parallel arm.
- Spring strength range EN 2-5/EN 3-6 to suit virtually every application.

... for the user

- Optimum wall and door protection thanks to "thinking" backcheck.
- Closing speed virtually unaffected by temperature fluctuations.
- High mechanical efficiency gives easy-action opening.

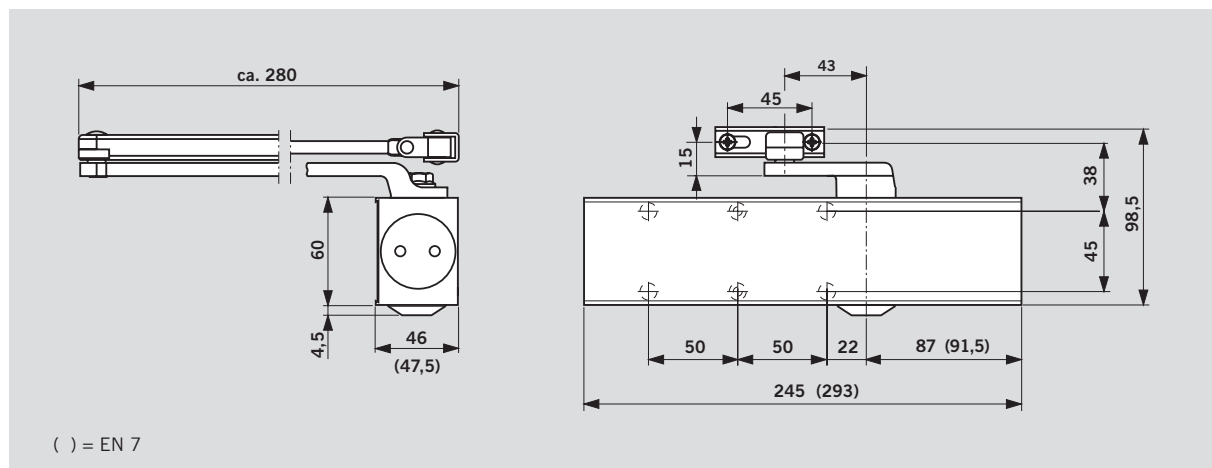
Data and features		TS 83		
Variable closing force	Spring strength	EN 2-5	EN 3-6	EN 7
Standard doors ¹⁾	≤ 1250 mm	●	-	-
	≤ 1400 mm	-	●	-
	≤ 1600 mm	-	-	●
External doors, outward opening ¹⁾	≤ 1250 mm	●	-	-
	≤ 1400 mm	-	●	-
	≤ 1600 mm	-	-	●
Fire and smoke check doors ¹⁾	≤ 1250 mm	●	-	-
	≤ 1400 mm	-	●	-
	≤ 1600 mm	-	-	●
Non-handed		●	●	●
Arm assembly type	Standard	●	●	●
Closing force variable by means of adjustment screw		●	●	-
Closing speed adjustable at 2 separate valves	180° - 15°	●	●	-
	15° - 0°	●	●	-
Closing speed variable by means of valve adjustment		-	-	●
Adjustable latching action	by arm	●	●	●
Backcheck	self-regulating	●	●	●
	adjustable at valve	●	●	●
Delayed action variable at valve		○	○	-
Anti-corrosive model		-	○	-
Hold-open		○	○	○
Weight in kg		1.7	1.7	3.3
Dimensions in mm	Length	245	245	293
	Overall depth	46	46	47.5
	Height	60	60	60
Door closer tested to EN 1154		●	●	●
CE mark for construction products		●	●	●

● yes - no ○ option

¹⁾ For applications involving particularly heavy or wide doors, and doors which have to close against wind resistance, the next highest closer size or a higher spring strength should be applied.



The TS 83 complies with the requirements and/or recommendations of the following: CERTIFIRE approved for fire doors ITT 120; MM/IMM 240; Ref. CF 118



() = EN 7