

Bathroom Locks & Latches

2242

2 Lever Rebated Mortice Lock



ASSA ABLOY

Application:

- For timber doors hinged on the left or right
- Keys suitable for use on doors up to 54mm thick

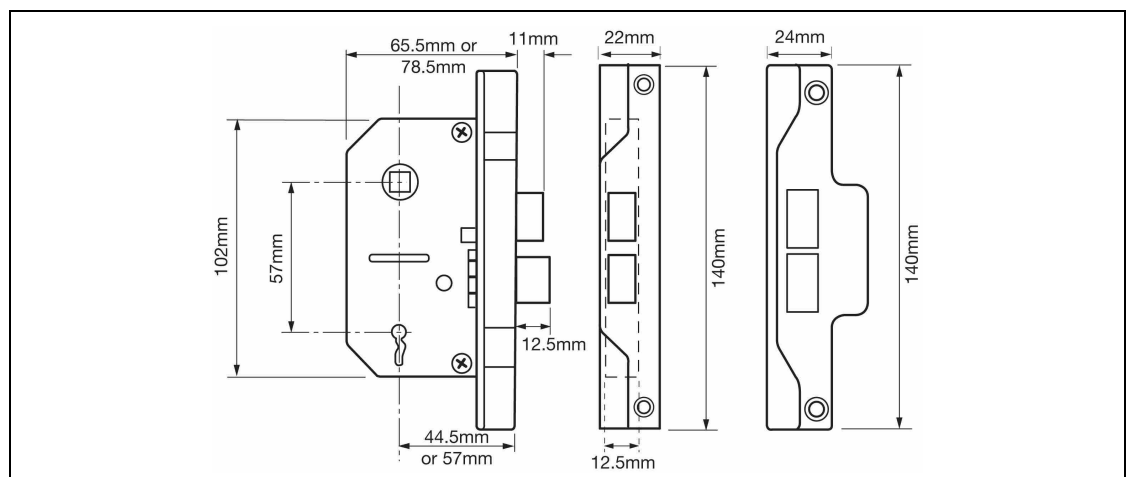
Specification:

- Deadbolt locked or unlocked by key from either side
- Latch bolt withdrawn by lever handle from either side
- Easily reversible latch bolt
- NB: Not suitable for master keying
- Not suitable for bolt through fixings
- Suitable for 12.5mm full rebated timber doors
- Available with square forend and striking plate
- Case Size: 65.5mm (2.5") or 78.5mm (3")
- Backset: 44.5mm or 57mm
- Case: Steel, black powder coat
- Forend: Zinc, Silver or Electro-Brass
- Striking Plate: Finished to match forend
- Deadbolt: Aluminium
- Latch Bolt: Aluminium
- Follower: 8mm square
- Rebate Kit: Fixed 12.5mm rebate
- Keying Groups: May be supplied to differ only. Supplied with 2 steel nickel plated keys
- Key Blank Number: Key blanks not sold separately
- Keying: 20 standard differs (M21H - M40H)
- Available in EB and SE finishes

Finish:

- EB - Electro Brass finish
- SE - Silver Enamel finish

Technical Design:



Standards:



Bathroom Locks & Latches

2242

2 Lever Rebated Mortice Lock



ASSA ABLOY

Variants:

J2242-EB-2.50	2-Lever Rebated Lock
J2242-EB-3.00	2-Lever Rebated Lock
J2242-SE-2.50	2-Lever Rebated Lock
J2242-SE-3.00	2-Lever Rebated Lock
Y2242-EB-2.50	2-Lever Rebated Lock
Y2242-EB-3.00	2-Lever Rebated Lock
Y2242-SE-2.50	2-Lever Rebated Lock
Y2242-SE-3.00	2-Lever Rebated Lock