

# 2D2 - Heavy Duty Architectural

L2370

Mortice Night Latch



ASSA ABLOY

## Application:

- For timber doors hinged on the left or right and requiring cylinder and lever handle operation
- Also suitable for steel & composite doors - special fixings required
- Accepts oval or euro profile cylinders
- For use with sprung or unsprung lever furniture from inside. Please specify when ordering

## Specification:

- Heavy duty springing suitable for use in heavy traffic areas
- Latch bolt withdrawn by lever handle from inside and key from outside or by key from either side
- Separate cylinder options - oval or euro profile, key and turn or key and key
- Latch bolt is automatically locked against end pressure by the anti-thrust bolt
- Case Size: 94.5 or 114.5mm
- Backset: 60 or 80mm
- Case: Steel, gold powder coat. Pierced to accept bolt through furniture on 38mm centres. Pierced to accept oval & euro cylinders
- Outer Forend: Stainless steel or brass
- Striking Plate: Finished to match outer forend
- Latch Bolt: Brass, easily reversible from outside of the case
- Follower: Brass, 8mm square. One way action
- Rebate Kit: 2936 (13, 19 or 25mm sizes). PL finish only available in 25mm
- Cylinder Type: Euro / oval profile (not supplied)
- Anti-thrust Slide: Effective at door gaps up to 6mm

## Finish:

- SC - Satin Chrome finish
- PL - Polished Brass finish



## Standards:



# 2D2 - Heavy Duty Architectural

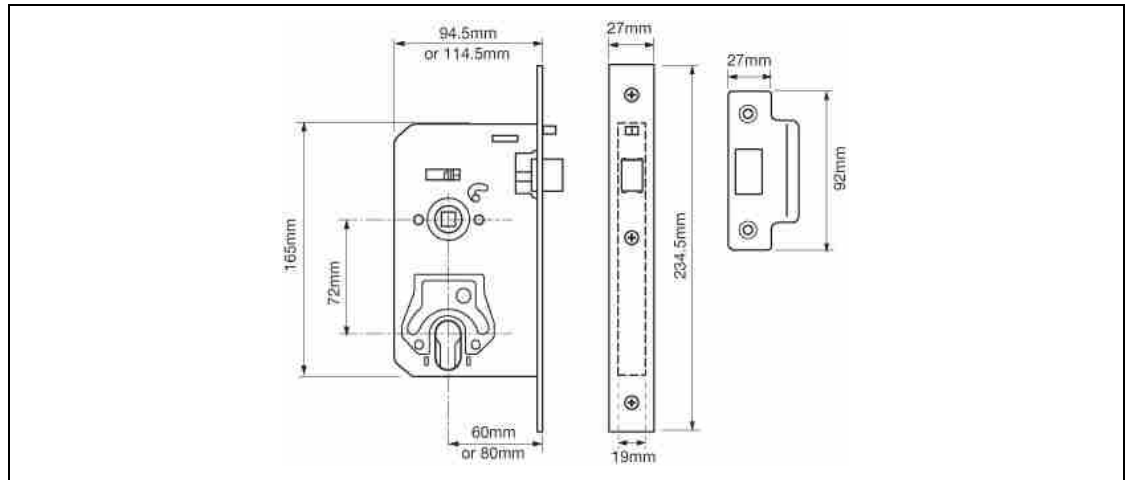
L2370

Mortice Night Latch



ASSA ABLOY

Technical Design:



Variants:

JL2370-PL-60	Mortice Nightlatch - Case Only
JL2370-SC-60	Mortice Nightlatch - Case Only
JL2370-SC-80	Mortice Nightlatch - Case Only
JL2370-PL-80	Mortice Nightlatch - Case Only